

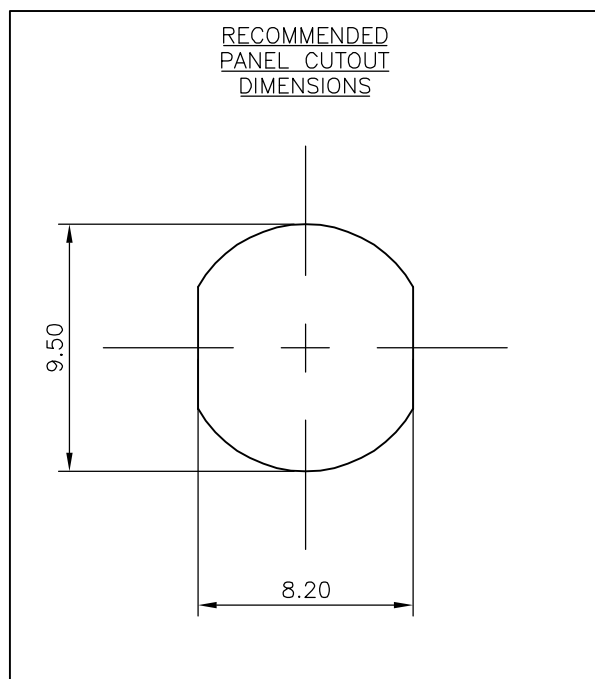
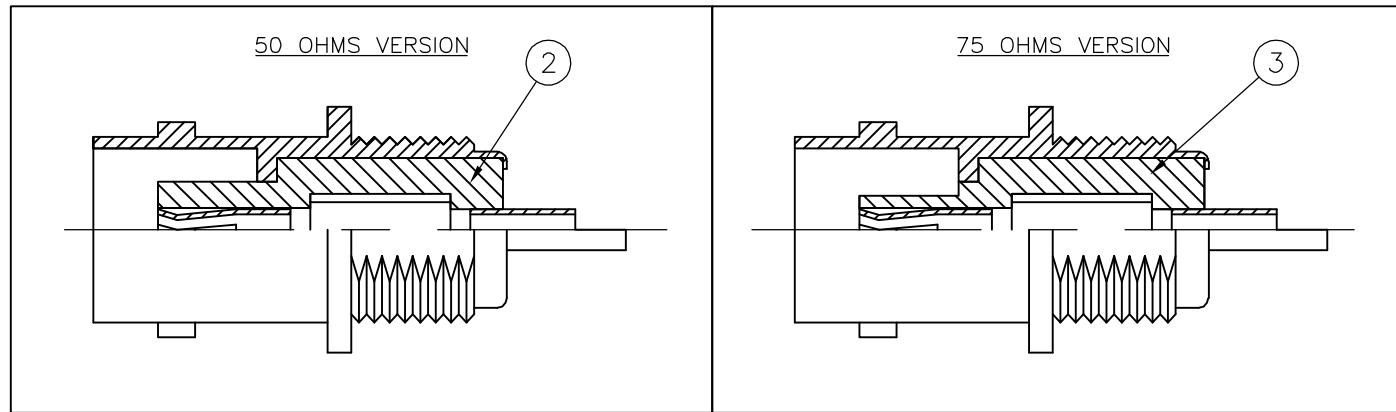
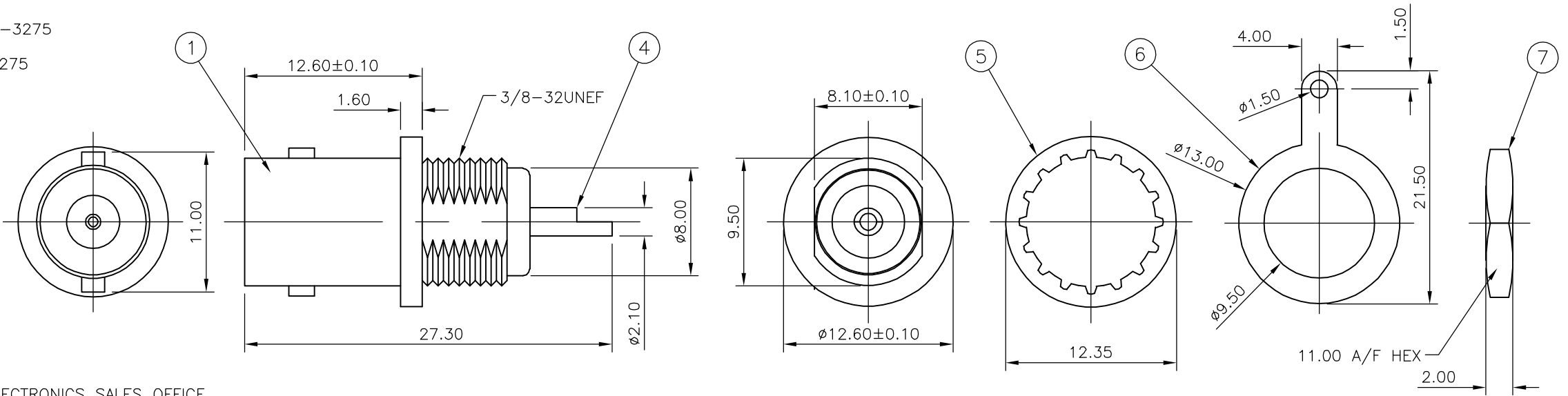
THIS DRAWING IS UNPUBLISHED. RELEASED FOR PUBLICATION JAN ,2005.

© COPYRIGHT 2005 BY TYCO ELECTRONICS CORPORATION. ALL RIGHTS RESERVED.

LOC	DIST	REVISIONS			
P	LTR	DESCRIPTION	DATE	DWN	APVD
E	B	A	EBD0-0267-04	12JAN05	JMS FWK

NOTES

- 1 100 TRAY PACK IN ACCORDANCE WITH AMP SPEC 107-3275
- 2 SINGLE PACK IN ACCORDANCE WITH AMP SPEC 107-3275
- 3 Au PLATING OVER Ni PLATING OVER Cu PLATING
- 4 Ni PLATING OVER Cu PLATING
- 5. CHARACTERISTICS  
 FREQUENCY RANGE (50 OHMS): DC-4GHz  
 FREQUENCY RANGE (75 OHMS): DC-2GHz  
 INSULATION RESISTANCE: 5000 MOHMS  
 WORKING VOLTAGE: 500V  
 DIELECTRIC WITHSTAND VOLTAGE: 1500V RMS  
 TEMPERATURE RATE: -55°C TO +85°C  
 CONTACT RESISTANCE: 3 mOHMS
- 6. MECHANICAL CHARACTERISTICS  
 DURABILITY: 50 CYCLES
- 7. FOR TECHNICAL DATA REFER TO YOUR LOCAL TYCO ELECTRONICS SALES OFFICE
- 8. ALL DIMENSIONS ARE NOMINAL FOR REFERENCE ONLY UNLESS OTHERWISE STATED



QTY	1	1	1	1	MATERIAL	DESCRIPTION	ITEM
	1	1	1	1	BRASS	HEX NUT	7
	1	1	1	1	BRASS	SOLDER TAG	6
	1	1	1	1	STEEL	LOCK WASHER	5
	1	1	1	1	PHOS BRONZE	CONTACT	4
	1	1	-	-	POLYMETHYLPENTENE	INSULATOR	3
	-	-	1	1	POLYMETHYLPENTENE	INSULATOR	2
	1	1	-	-	ZINC ALLOY	BODY	1
	5--3	5--2	5--1	5--0			
	△	△	△	△			
QUANTITY PER ASSY				PARTS LIST			

THIS DRAWING IS A CONTROLLED DOCUMENT.		DWN J.SANDWELL 12JAN05	Tyco Electronics Corporation Bideford, UK, EX39 4HE															
DIMENSIONS: mm		CHK S.PARLOW 12JAN05																
TOLERANCES UNLESS OTHERWISE SPECIFIED:		APVD F.WHEELER-KING 12JAN05	NAME BNC BULKHEAD SOCKET FRONT MOUNT WITH SOLDER TAG															
<table border="1"> <tr><td>0 PLC</td><td>± -</td></tr> <tr><td>1 PLC</td><td>± -</td></tr> <tr><td>2 PLC</td><td>± -</td></tr> <tr><td>3 PLC</td><td>± -</td></tr> <tr><td>4 PLC</td><td>± -</td></tr> <tr><td>ANGLES</td><td>± -</td></tr> <tr><td>FINISH</td><td>± -</td></tr> </table>		0 PLC	± -	1 PLC	± -	2 PLC	± -	3 PLC	± -	4 PLC	± -	ANGLES	± -	FINISH	± -	PRODUCT SPEC -	SIZE A3	
0 PLC	± -																	
1 PLC	± -																	
2 PLC	± -																	
3 PLC	± -																	
4 PLC	± -																	
ANGLES	± -																	
FINISH	± -																	
MATERIAL SEE TABLE		APPLICATION SPEC -	CAGE CODE 00779	DRAWING NO C-1634523														
		WEIGHT -	RESTRICTED TO -															
CUSTOMER DRAWING			SCALE NTS	SHEET 1 OF 1														
			REV A															